

Quick Connectors

201 Steel

Recommended for Engine Oil Cooling, Transmission Oil Cooling, and Turbocharger Cooling & Oil Supply Applications

Benefits

- Maximum durability
- Compact space and weight savings
- Easily serviceable
- Improved ergonomics, low insertion force and tool free installation



ZnNi coated steel: increased corrosion resistance

High strength material for high tensile and torque forces

One piece machined body: compact space and lightweight

Controlled axial clearance: prevents micro leakage

Minimum pressure drop: ensures optimum flow

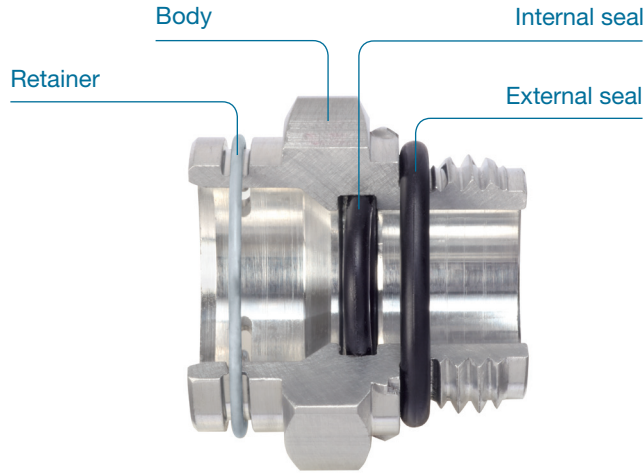
Robust retainer mechanism: low insertion force

External ISO seal: leak prevention at thread interface

Optional external bonded seal: designed to replace other connections using metallic washers in high pressure and temperature applications

Internal seal: leak prevention at tube interface

FEATURES



Quick Connectors 201

PRODUCT DESCRIPTION

Oetiker Quick Connectors (QC) are an innovative connecting solution for pressure lines carrying media. They enable significant savings in assembly time, space required, assembly costs to be made, reduced warranties, and reduced injuries due to repetitive motion. Thanks to tool-free assembly, Oetiker QCs are an optimal solution for many applications and are particularly suitable as a connecting element for oil and/or coolant and heating lines to turbochargers, engines, and transmissions.

TECHNICAL DATA OVERVIEW

Material

201 Body: SAE 1215 Carbon Steel (UNS G12150, DIN W. Nr. 1.0736), ZnNi Coating
 Retainer: SAE Stainless Steel 302 (UNS S30400)

Internal and external seal options

FKM (-40 °C ... 205 °C), ozone and heat aging resistance
 AEM (-40 °C ... 180 °C), resistance to oil and grease

Bonded seal, replacement for other connections using metallic washers in high temperature and pressure applications

FKM (-40 °C ... 205 °C), ozone and heat aging resistance
 AEM (-40 °C ... 180 °C), resistance to oil and grease

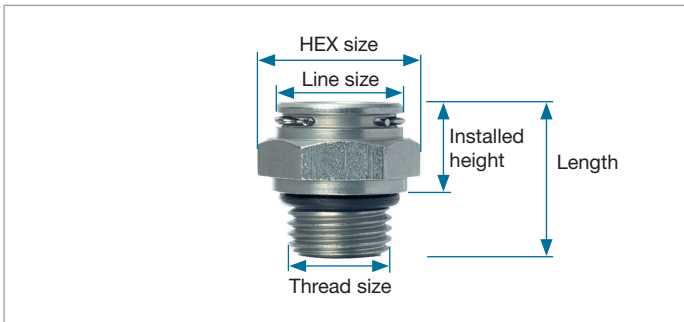


Steel QC with bonded seal

Corrosion resistance according to ISO 9227

ZnNi Coated Steel ≥ 480 hours to red rust

TECHNICAL DATA



Overall connector dimensions

Line size	HEX size	Ext Thread size	Overall length	Installed height
8 mm*	18 mm	M12 x 1.5-6g	26.3 mm	11.3 mm
10 mm**	22 mm	M16 x 1.5-6g	26.1 mm	13.6 mm
12 mm**	27 mm	M20 x 1.5-6g	28.4 mm	14.4 mm

* Bonded seal only available
 ** Bonded seal or ISO seal available

Process monitoring

Process monitoring is carried out mechanically. With appropriate modification of the plug or tube, visual process monitoring is also possible.

Temperature range

The temperature range is dependent on the material of the O-ring and body materials. This is determined according to the requirements.

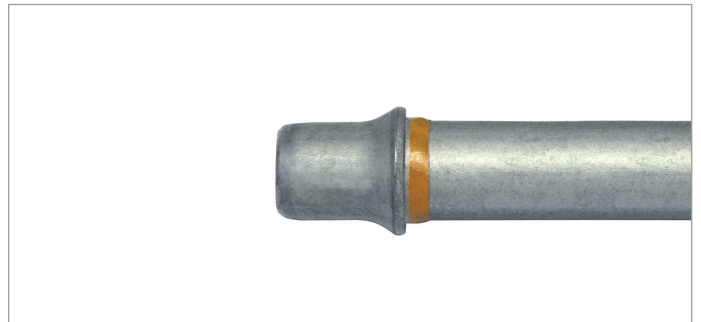
ASSEMBLY

To make the connection, align the tube with connector while pushing straight into the connector. You will hear and feel the “click” connection. Pull firmly back on the tube to ensure a proper connection has been made. Ensure colored identification band on the tube end is hidden within quick connector assembly. Slide the optional assurance cap along the tube and snap it onto the connector.



To disconnect, remove the assurance cap and snap or place the disconnect tool onto the tube with the fingers facing the connector. Slide the disconnect tool down the tube and engage the retainer. Rotate the disconnect tool 60 degrees to expand the retainer. While holding the disconnect tool against the connector, pull back on the tube to remove.

OETIKER TUBE ENDFORM



Oetiker quick connectors are qualified only when mating with tube end forms per the Oetiker specification. This specification is Oetiker controlled, and available upon request.

Oetiker’s engineering and quality teams are available to support qualifying tube endform suppliers. Recommended endform tooling and tube suppliers is available.

PERFORMANCE

Operating pressure

The permissible operating pressure is directly dependent on the O-ring selected, the temperature, and the quality of the male component. It must always be determined in relation to the application.

Line size	Tensile	Burst	Corrosion
8 mm	2.6 kN	≥ 11 MPa*	480 hours to red rust
10 mm	4.3 kN	≥ 11 MPa*	480 hours to red rust
12 mm	7.4 kN	≥ 11 MPa*	480 hours to red rust

* tested to 11MPa without failure

OPTIONAL ACCESSORIES

- Shipping plug (polypropylene)
- Assurance cap (default) – up to 85 °C (black or grey)
- Assurance cap (high temp.) – up to 230 °C (white)
- High strength retainer – 17-7 electro polished (UNS S17700)
- Disconnect tool (plastic)
- Customized packaging on request



Shipping plug, assurance cap, disconnect tool