

# Hand Clamp Cutters (HCC)

HCC 2000 | 502, HCC 2000 | 503



Recommended for the REMOVAL of Genuine Oetiker Ear Clamps

## Benefits

- Quick and easy ear clamp cutting
- Safest method of clamp removal
- Requires minimal hand force
- Minimizes damage to application



Compound Action Hand Clamp Cutter - Straight Handles  
HCC 2000 | 502  
Item No. 14100502



Compound Action Hand Clamp Cutter - Curved Handles  
HCC 2000 | 503  
Item No. 14100503  
Curved handles are designed for users with smaller hands and add balance for ease of use

**Compound action cutting tools:** maximum mechanical advantage for easier and safer use

**Specially designed:** for removing Oetiker Ear Clamps only



### TECHNICAL DATA OVERVIEW

#### Hand Clamp Cutter for Oetiker Ear Clamps - Straight Handles

Model No.	HCC 2000   502
Item No.	14100502
Dimensions:	
Length	230.0 mm
Width	58.0 mm
Height	23.0 mm
Weight	315.0 g
Jaw width	19.0 mm
Opening gap	19.5 mm
Max. ear width	13.0 mm
Reference jaw force	2000 N

#### Hand Clamp Cutter for Oetiker Ear Clamps - Curved Handles

Model No.	HCC 2000   503
Item No.	14100503
Dimensions:	
Length	232.0 mm
Width	63.0 mm
Height	23.0 mm
Weight	315.0 g
Jaw width	19.0 mm
Opening gap	18.4 mm
Max. ear width	13.0 mm
Reference jaw force	2000 N

### DESCRIPTION

Oetiker Hand Clamp Cutters are designed to safely remove Oetiker Ear Clamps clamps that can be closed with Oetiker HIP 2000 Series Hand Installation Pincers or similar power tools. See Applicable Clamps section below for more details.

They are designed to deliver many cutting cycles without loss of performance, using the lowest practical cutting force. Constructed of solid metal for long tool life, with textured grips for a more secure hold.

FOR CLAMP REMOVAL ONLY. Orange grips distinguish Hand Clamp Cutters from Hand Installation Pincers. High mechanical advantage makes clamp removal easier and reduces the risk of strain injury.

Patent pending

## APPLICABLE CLAMPS

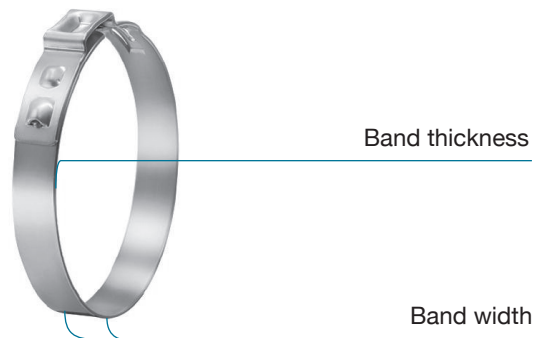
The Hand Clamp Cutters HCC 2000 | 502 & HCC 2000 | 503 will cut the below

**EAR CLAMPS** up to the band width and thicknesses listed.

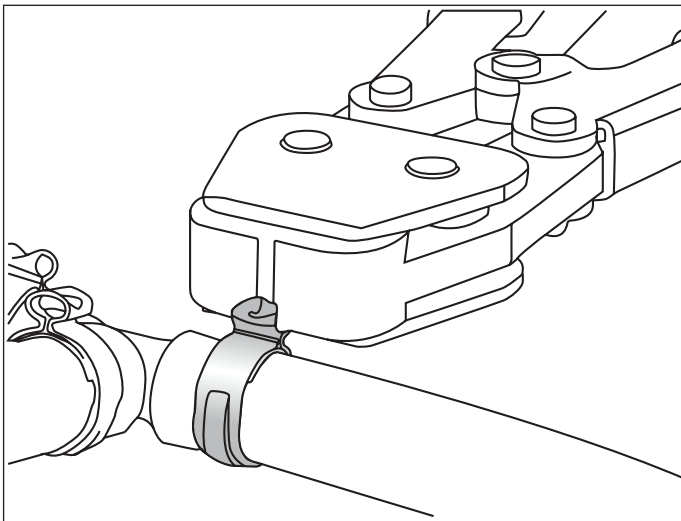
**Stainless Steel Band:** cut clamps up to 7.0 mm wide x 0.8 mm band thickness

**Stainless Steel Band:** cut clamps up to 9.0 mm wide x 0.6 mm band thickness

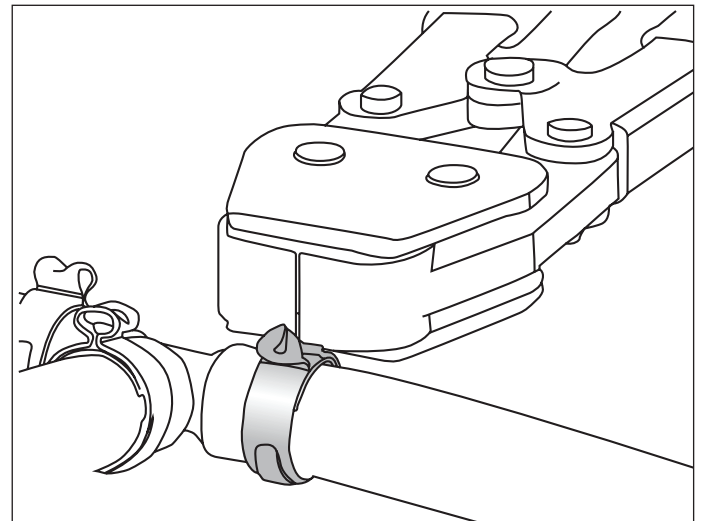
**Steel Band:** cut clamps up to 9.0 mm wide x 0.8 mm band thickness



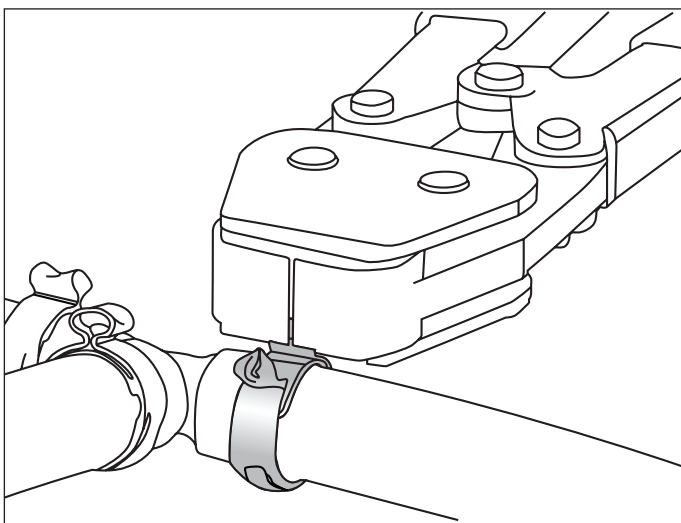
## INSTRUCTION GUIDE



1. Place jaw tips on each side of clamp ear or single leg



2. Squeeze handles



3. Cut through and remove clamp

Caution must be observed with Hand Clamp Cutters. They can generate extreme forces. It is recommended that protective eye wear be worn when cutting clamps.

FOR CLAMP REMOVAL ONLY